

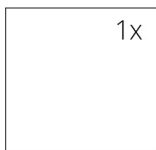
## SPECIFICATIONS

Rated thermal input	5 kW
Efficiency	84 %
Smoke flue diameter	150 mm
Min. thrust (under pressure) for rated thermal input	12 Pa
Fuel gas temperature	206 °C
Volume of fuel gas	4,3 g/s
CO emissions in fuel gas (at 13 % O <sub>2</sub> )	0,0946 %
Dust in the fuel gas (at 13 % O <sub>2</sub> )	17 mg/Nm <sup>3</sup>
Volume of fuel per hour	1,53 kg/h
Fuel	wood (beech logs)
Weight	121 kg



## LIST OF SPARE PARTS

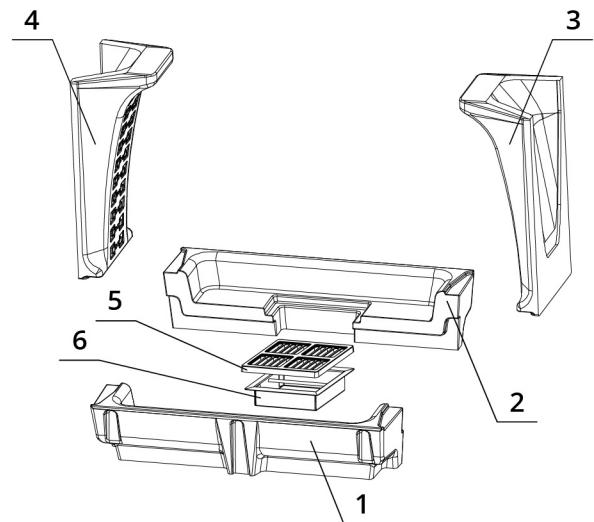
### Glass



570 x 468 mm

### Carcon stones

1. Front bottom
2. Back bottom
3. Right side
4. Left side
5. Cast iron grid
6. Ash tray



# BEF DOUBLE 6 N FEEL

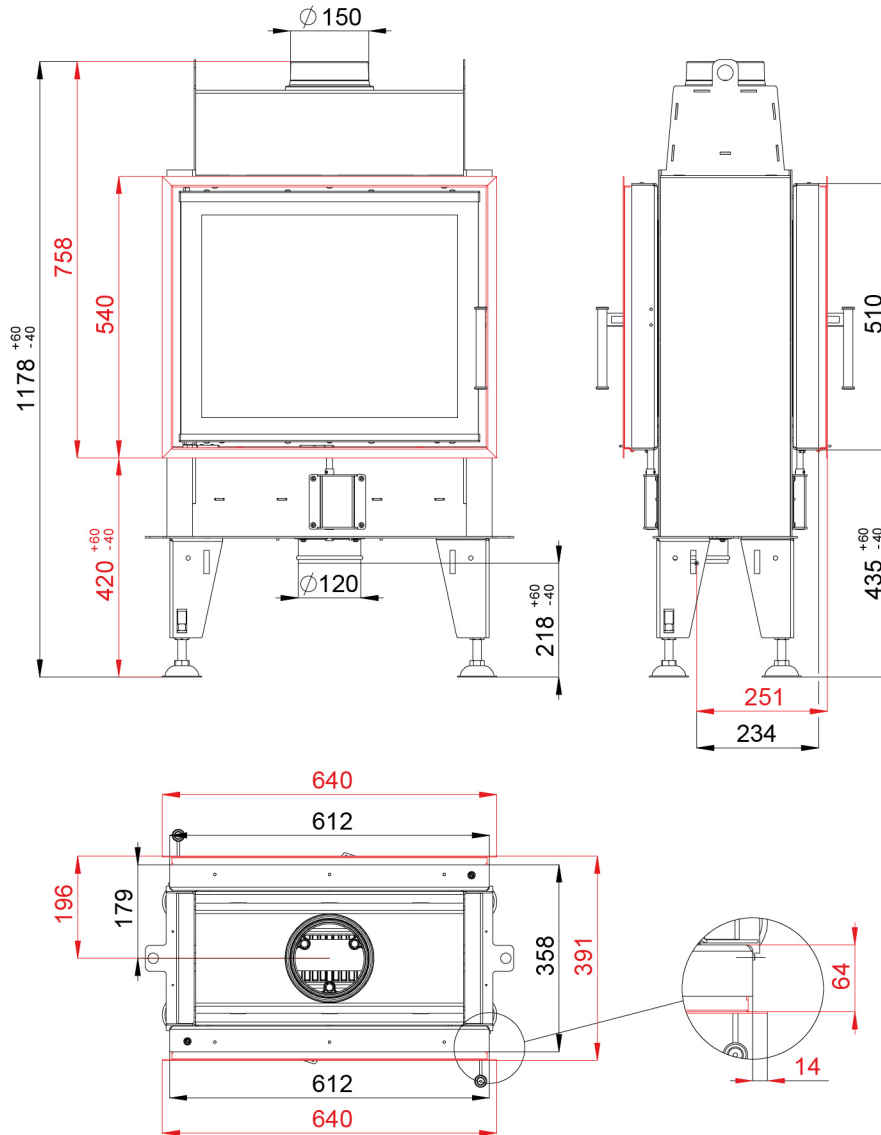
BlmSchV  
Stufe 2

15a  
B - VG

ČSN EN  
13229

[www.befhome.com](http://www.befhome.com)

## TECHNICAL DRAWING



# BEF DOUBLE 6 N FEEL

BlmSchV Stufe 2	15a B-VG	ČSN EN 13229
--------------------	-------------	-----------------

[www.befhome.com](http://www.befhome.com)