

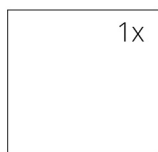
SPECIFICATIONS

Rated thermal input	5 kW
Efficiency	84 %
Smoke flue diameter	150 mm
Min. thrust (under pressure) for rated thermal input	12 Pa
Fuel gas temperature	206 °C
Volume of fuel gas	4,3 g/s
CO emissions in fuel gas (at 13 % O ₂)	0,0946 %
Dust in the fuel gas (at 13 % O ₂)	17 mg/Nm ³
Volume of fuel per hour	1,53 kg/h
Fuel	wood (beech logs)
Weight	110 kg



LIST OF SPARE PARTS

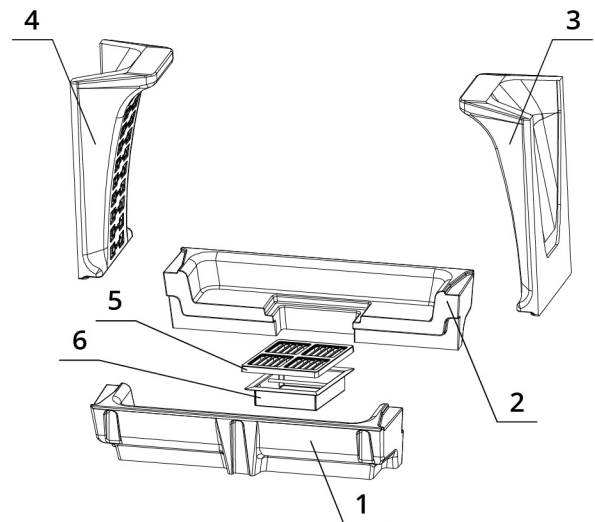
Glass



570 x 468 mm
570 x 468 mm

Carcon stones

1. Front bottom
2. Back bottom
3. Right side
4. Left side
5. Cast iron grid
6. Ash tray



BEF DOUBLE 6 FEEL

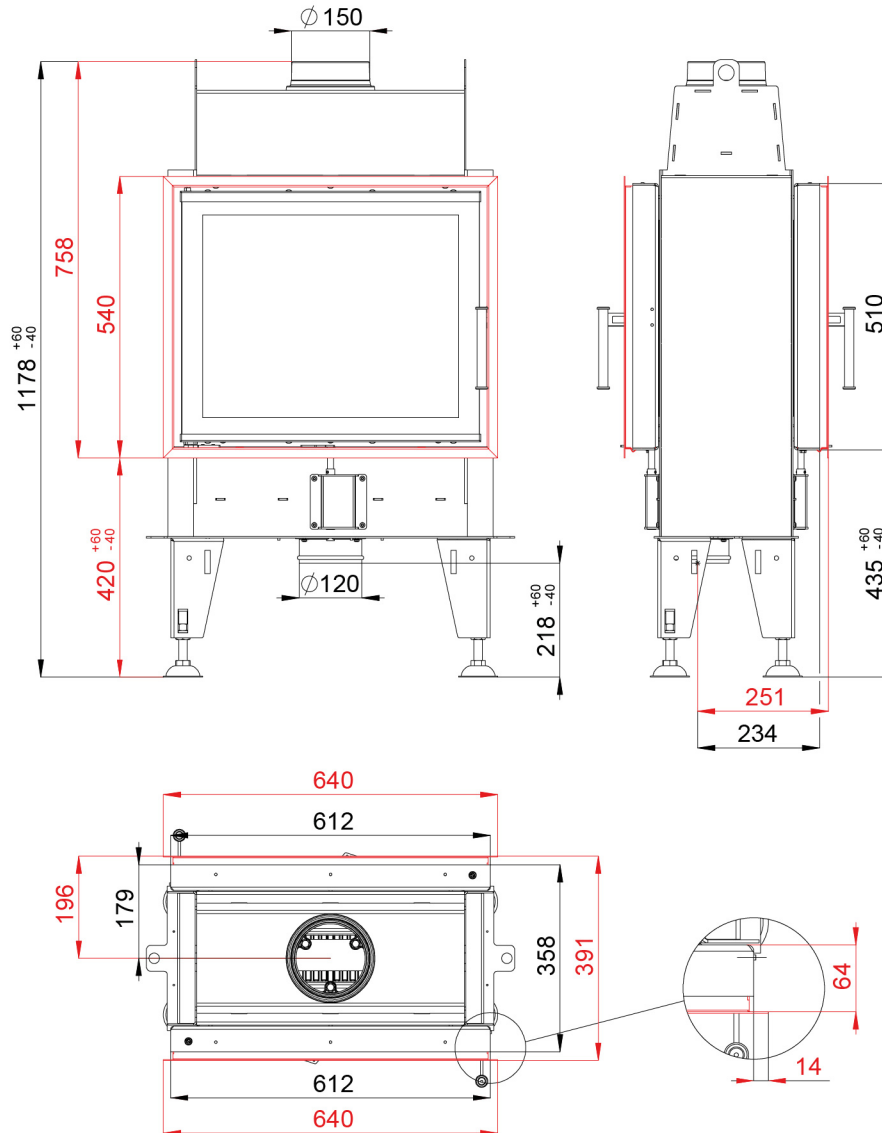
BlmSchV
Stufe 2

15a
B - VG

ČSN EN
13229

www.befhome.com

TECHNICAL DRAWING



BEF DOUBLE 6 FEEL

BlmSchV | 15a | ČSN EN
Stufe 2 | B-VG | 13229

www.befhome.com