

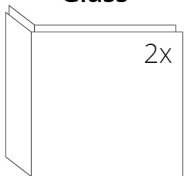
SPECIFICATIONS

| | |
|--|-----------------------|
| Rated thermal input | 4,8 kW |
| Efficiency | 84 % |
| Smoke flue diameter | 150 mm |
| Min. thrust (under pressure) for rated thermal input | 12 Pa |
| Fuel gas temperature | 201 °C |
| Volume of fuel gas | 4,2 g/s |
| CO emissions in fuel gas (at 13 % O ₂) | 0,0893 % |
| Dust in the fuel gas (at 13 % O ₂) | 16 mg/Nm ³ |
| Volume of fuel per hour | 1,48 kg/h |
| Fuel | wood (beech logs) |
| Weight | 123 kg |



LIST OF SPARE PARTS

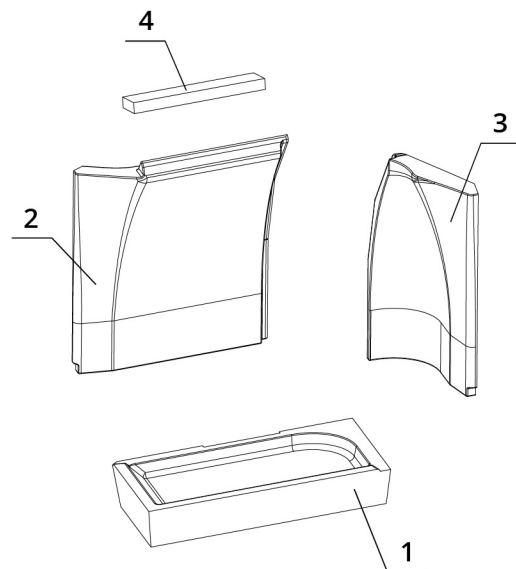
Glass



600 x 340 x 468 mm

Carcon stones

1. Bottom
2. Back
3. Side
4. Deflector



BEF PASSIVE 7 CL

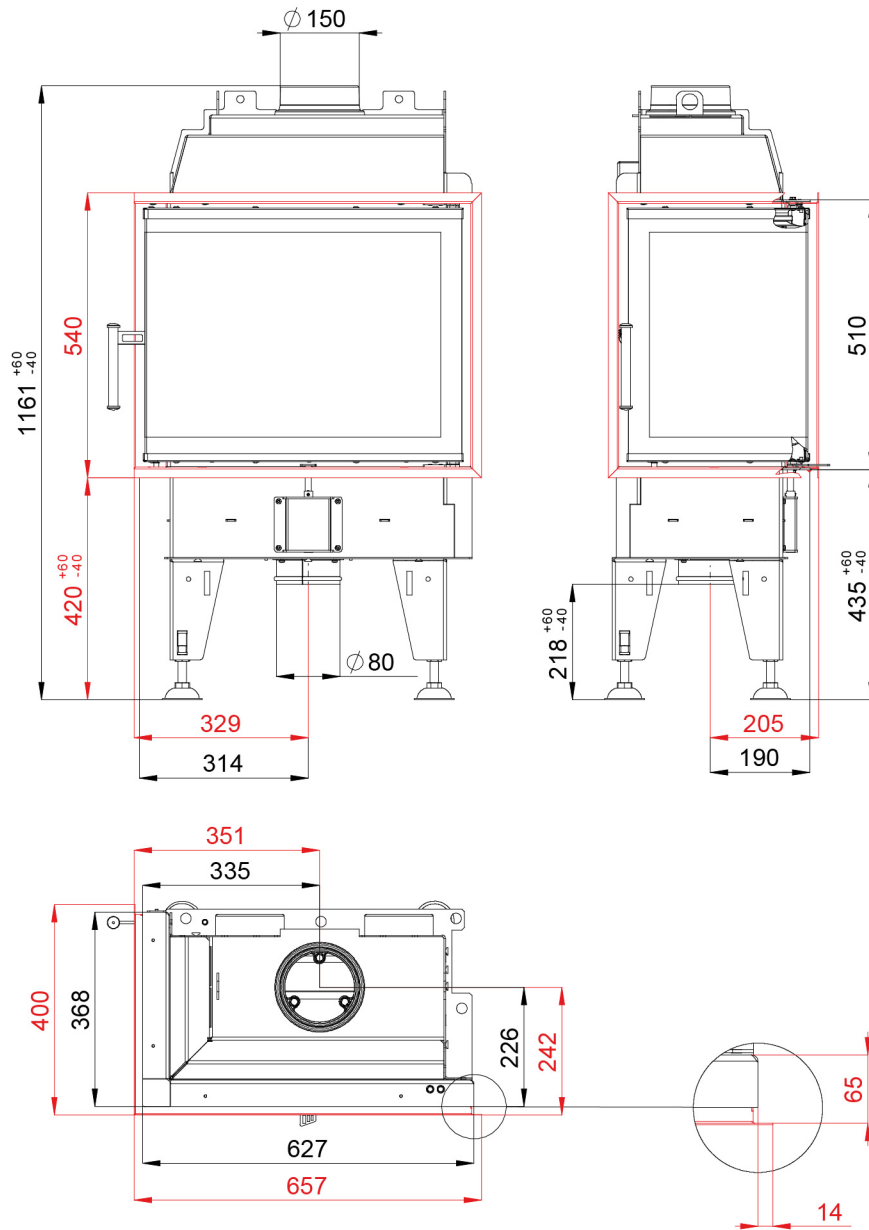
BLOWER DOOR
TEST

TÜV
GEPRÜFT

ČSN EN
13229

www.befhome.com

TECHNICAL DRAWING



BEF PASSIVE 7 CL

BLOWER DOOR
TEST

TÜV
GEPRÜFT

ČSN EN
13229