

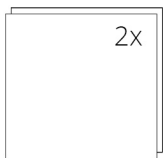
SPECIFICATIONS

Rated thermal input	4,8 kW
Efficiency	84 %
Smoke flue diameter	150 mm
Min. thrust (under pressure) for rated thermal input	12 Pa
Fuel gas temperature	201 °C
Volume of fuel gas	4,2 g/s
CO emissions in fuel gas (at 13 % O ₂)	0,0893 %
Dust in the fuel gas (at 13 % O ₂)	16 mg/Nm ³
Volume of fuel per hour	1,48 kg/h
Fuel	wood (beech logs)
Weight	141 kg



LIST OF SPARE PARTS

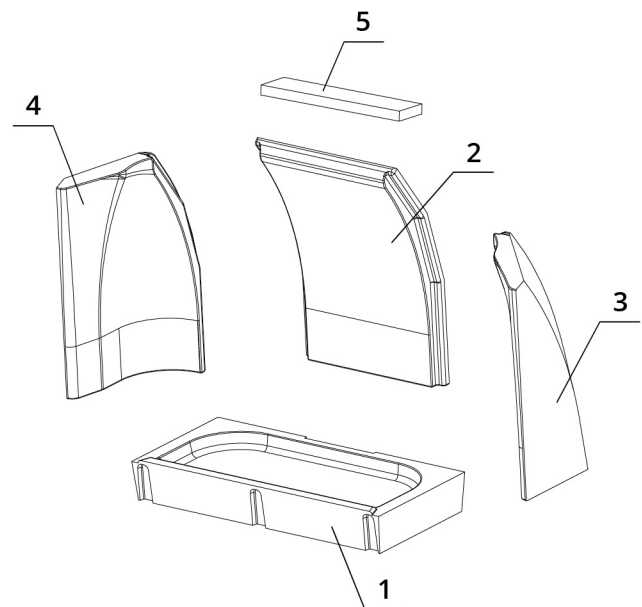
Glass



670 x 468 mm

Carcon stones

1. Bottom
2. Back
3. Right side
4. Left side
5. Deflector



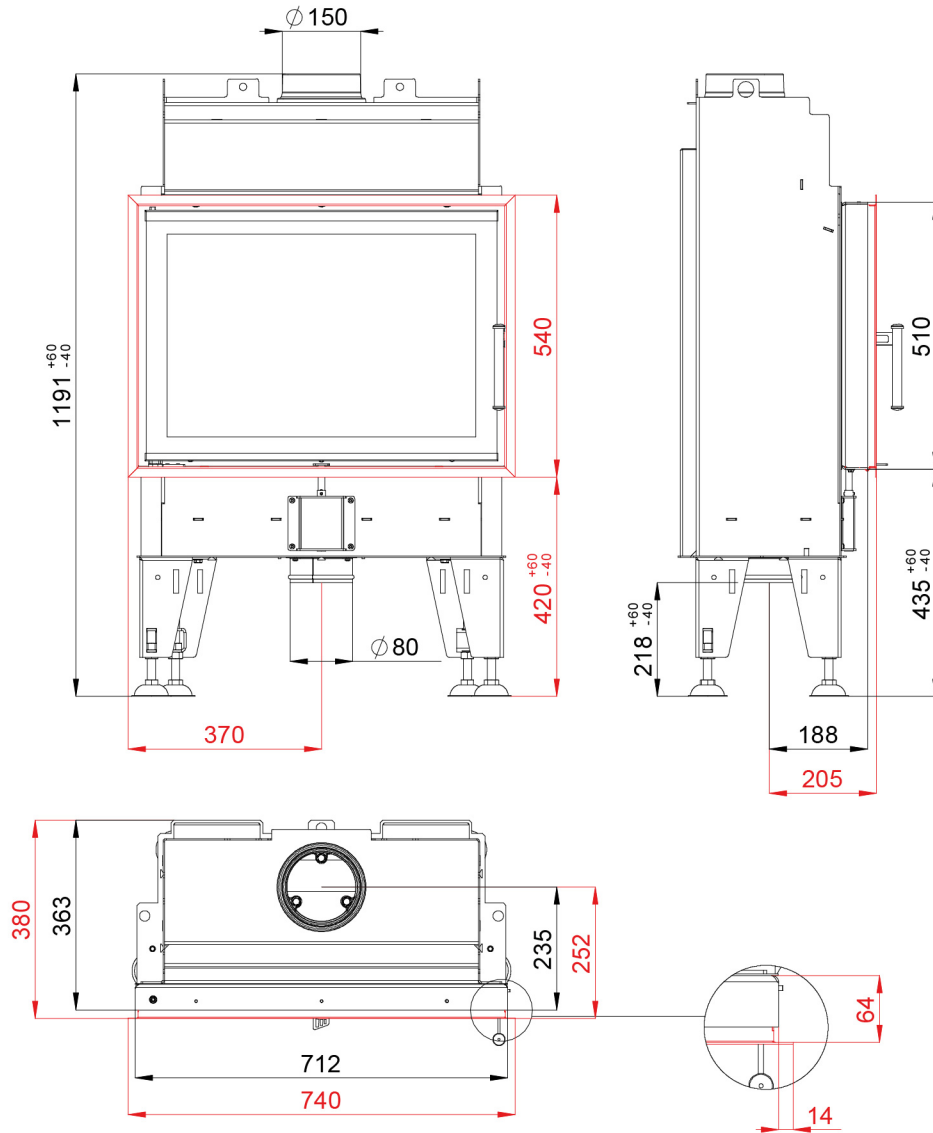
BEF PASSIVE 7

BLOWER DOOR
TEST

TÜV
GEPRÜFT

ČSN EN
13229

TECHNICAL DRAWING



BEF PASSIVE 7

BLOWER DOOR
TEST

TÜV
GEPRÜFT

ČSN EN
13229

www.befhome.com