

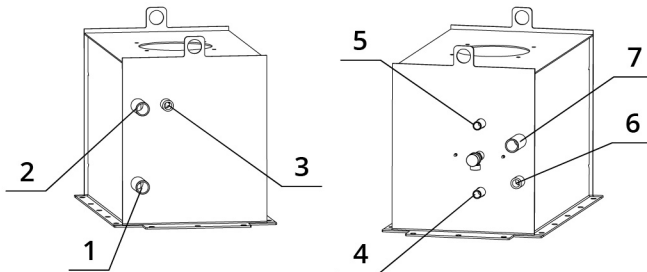
SPECIFICATIONS

Rated thermal input	20 kW
Rated thermal input into water	6,6 kW
Efficiency	85 %
Smoke flue diameter	200 mm
Min. thrust (under pressure) for rated thermal input	10 Pa
Fuel gas temperature	204 °C
Volume of fuel gas	16,9 g/s
CO emissions in fuel gas (at 13 % O ₂)	0,065 %
Dust in the fuel gas (at 13 % O ₂)	26 mg/Nm ³
Volume of fuel per hour	6,06 kg/h
Fuel	wood (beech logs)
Weight	297 kg



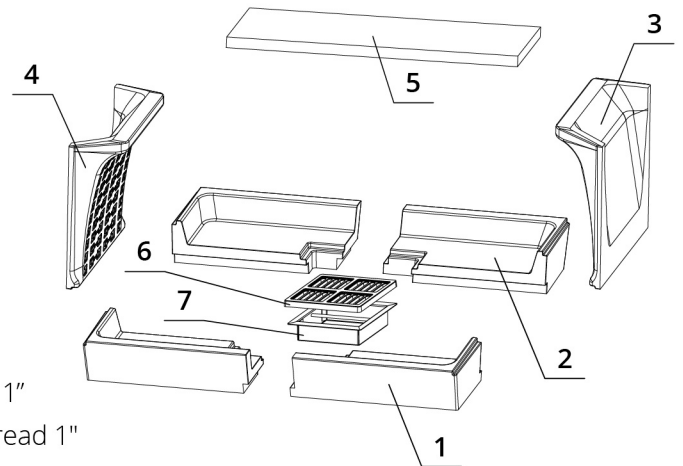
LIST OF SPARE PARTS

Heat exchanger connection diagram



1. Cold water inlet to the heat exchanger (return), external thread 1"
2. Hot water outlet from the heat exchanger (riser), external thread 1"
3. Inlet for venting valve, internal thread 1/2"
4. Heated water outlet from thermal protection, external thread 1/2"
5. Cold water inlet to thermal protection, external thread 1/2"
6. Inlet for pressure relief valve, internal thread 1/2"
7. Thermal Input Sensor, external thread 1"

Carcon stones



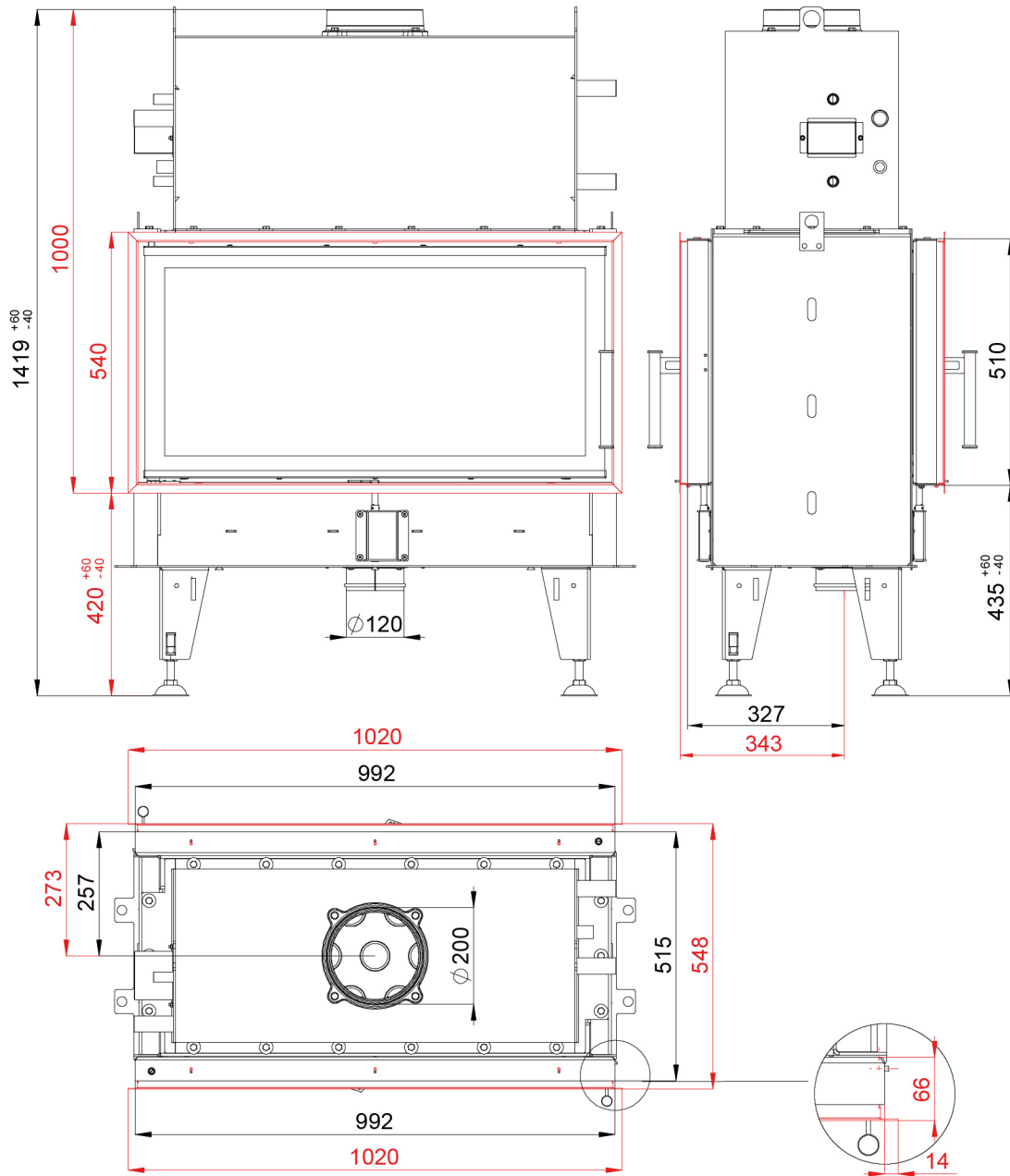
1. Front bottom
2. Back bottom
3. Right side
4. Left side
5. Deflector
6. Cast iron grid
7. Ash tray

BEF TWIN 10 AQUATIC II.

BImSchV Stufe 2 | 15a B-VG | ČSN EN 13229

www.befhome.com

TECHNICAL DRAWING



Glass

2x

950 x 468 mm

950 x 468 mm

BEF TWIN 10 AQUATIC II.

BImSchV
Stufe 2

15a
B - VG

ČSN EN
13229

www.befhome.com