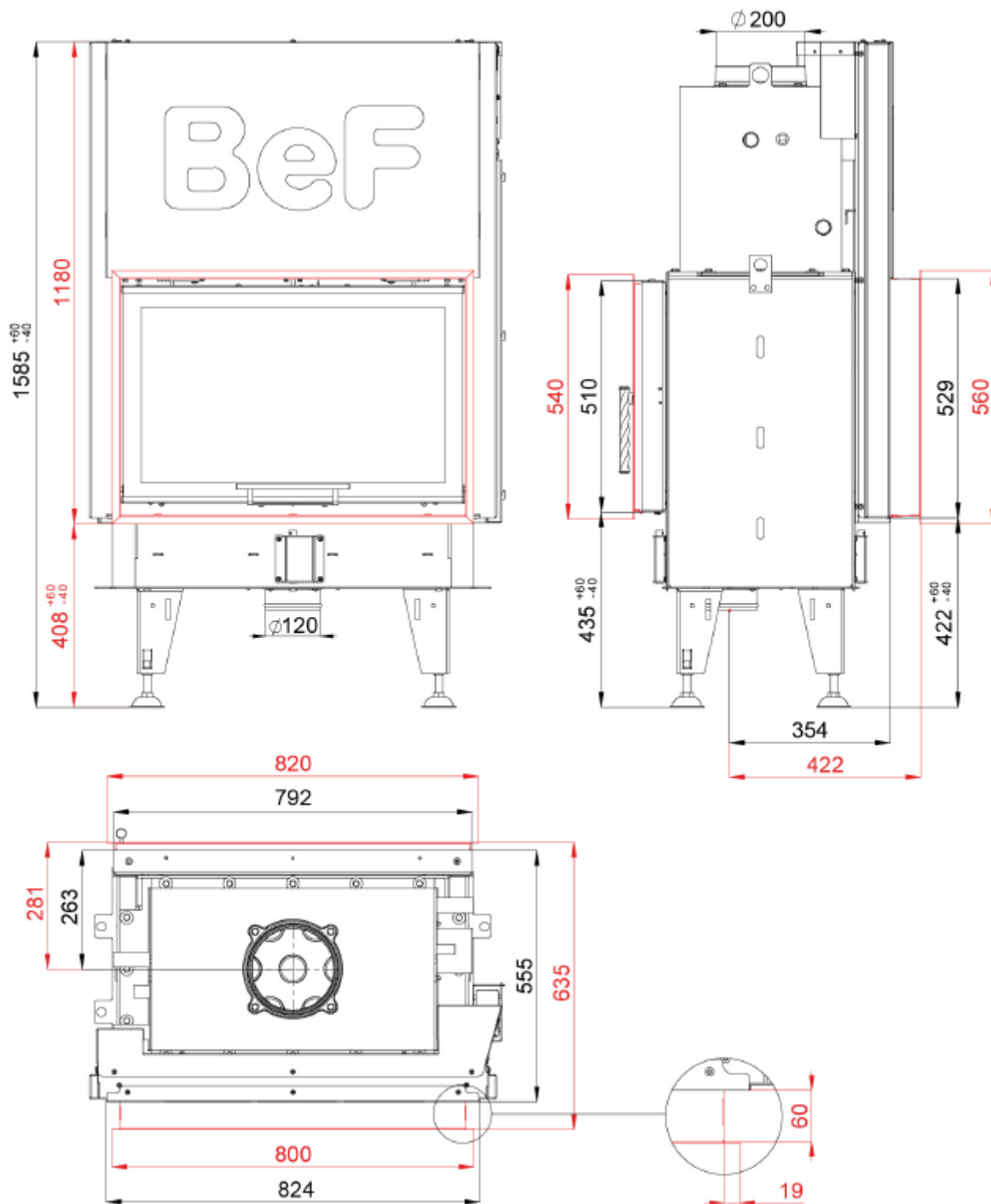


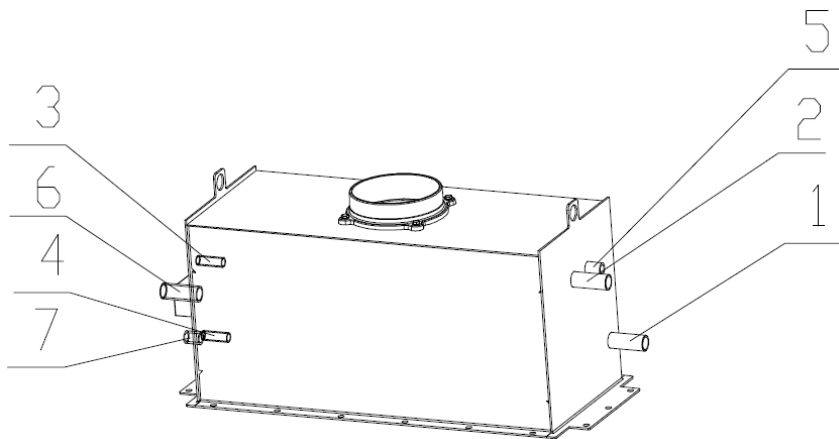
HOT WATER FIREPLACE INSERT BEF TWIN V 8 N AQUATIC II IN ACCORDANCE WITH EN 13 229



HOT WATER FIREPLACE INSERT BEF TWIN V 8 N AQUATIC II IN ACCORDANCE WITH EN 13 229

Technical data:

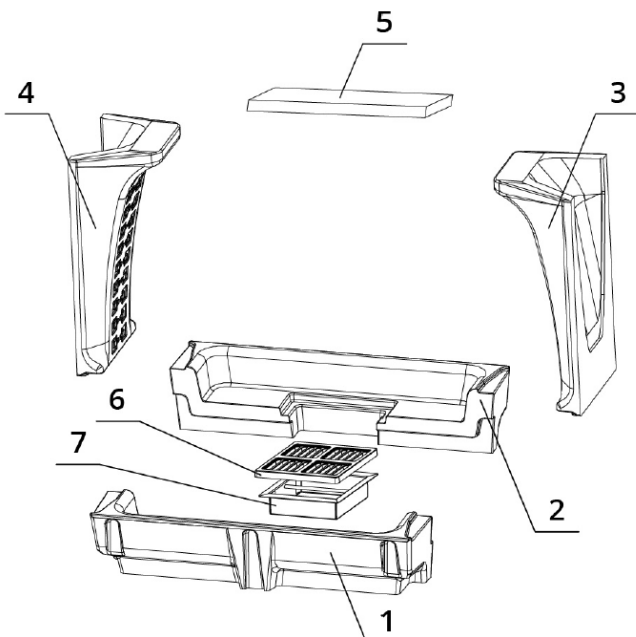
		Closed firebox
Nominal heat output	kW	14,5
Efficiency	%	84
Output into water	kW	4,8
Volume flow of combustion products	g/s	12,4
Flue-gas temperature	°C	213
Min. feed pressure at nominal heat output	Pa	12
Fuel		wood (beech logs)
Fuel consumption per hour	kg/h	4
CO emission in burnt gas (in relation to 13% O ₂)	%	0,0624
Dust in flue-gas (in relation to 13% O ₂)	mg/Nm ³	37
Smoke flue diameter	mm	200
Weight	kg	323



- 1 – Cold water input into water exchanger (reverse), external thread 1“
- 2 – Warm water output from water exchanger (rising pipe), external thread 1“
- 3 – Cold water input for coolant loop, external thread 1/2“
- 4 – Warm water output from coolant loop, external thread 1/2“
- 5 – Input for air bleed valve, internal thread 1/2“
- 6 – Thermic security sensor, external thread 1“
- 7 – Pressure valve, internal thread 1/2“

Set of carcon firebox:

List of spare parts:



1. Bottom
2. Bottom
3. Side piece
4. Side piece
5. Deflector
6. Cast iron grate
7. Ashtray

For details see Installation and Service Instructions.