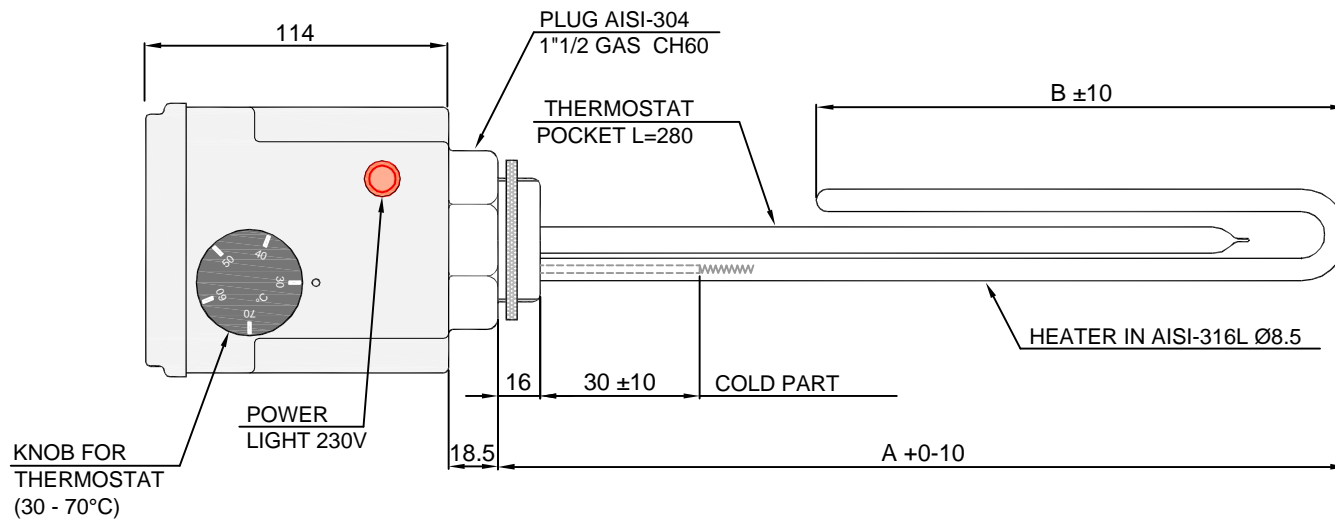


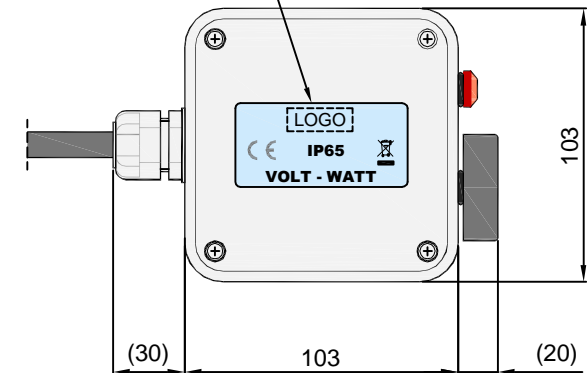
this drawing is property of sedes , reproduction in whole or in part and divulgation to other people are prohibited without the written consent of the copyright owner

COMPONENT IN COMPLIANCE WITH THE NORMS: EN 60335-1 ; EN 50106 ; 2002/95/UE RoHS

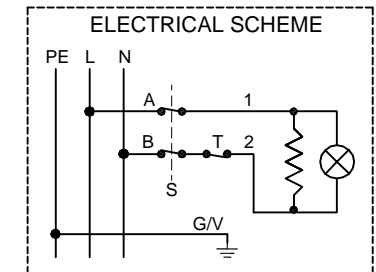
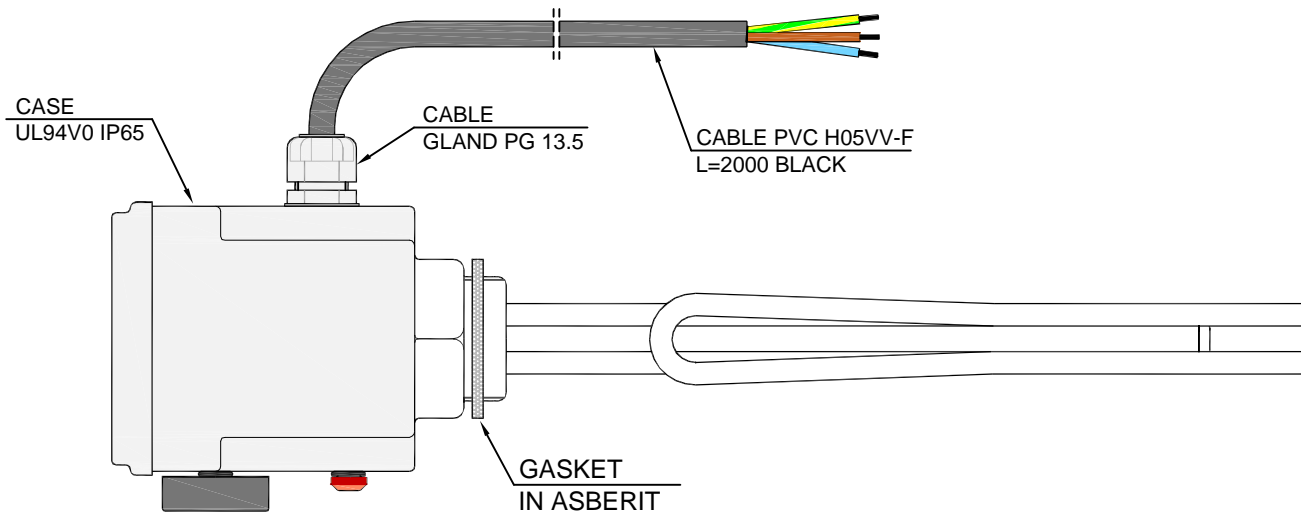
MAX.WORKING TEMPERATURE: 100°C
USE IN DOMESTIC WATER



LABEL WITH LOGO
+ELECTRICAL DATA



LABEL :
EXTERNAL : LOGO - VOLT - WATT - CE - IP65 - WEEE
INTERNAL : ELECTRICAL SCHEME



08	820001300	3G2.5	230	4500	9.9	480	400
07	820000700	3G1.5	230	2500	7.6	400	300
06	820000600	3G1.5	230	2500	5.5	480	400
05	820000500	3G1.5	230	3000	10.5	320	250
04	820000400	3G1.5	230	2500	8.8	320	250
03	820000300	3G1.5	230	2200	7.7	320	250
02	820000200	3G1.5	230	2000	7.0	320	250
01	820000100	3G1.5	230	1500	5.2	320	250
Pos.	SEDES CODE	TYPE OF CABLE	VOLT	WATT TOT. +5% -10%	W/cm ²	A	B

Mod.	Description	Drawing n°
	SEDES GROUP HEATING ELEMENTS	SEE TAB.
	Description SINGLE-PHASE HEATER ON 1"1/2 PLUG	
	Usage WATER BOILER	Scale /
Date 27/07/10	Dis. MF	Material AISI-316L Ø8.5
	Customer	Colour /
		Customer Code

QUESTO DISEGNO È PROPRIETÀ SEDES. PROTETTO DALLE VIGENTI LEGGI. SENZA PREVENTIVO CONSENSO SCRITTO È TASSATIVAMENTE VIETATA LA RIPRODUZIONE IN TUTTO O IN PARTE. LA CESSIONE O L'UTILIZZO DA PARTE DI TERZI