

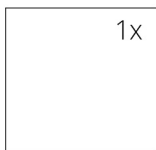
SPECIFICATIONS

| | |
|--|-----------------------|
| Rated thermal input | 6 kW |
| Efficiency | 82 % |
| Smoke flue diameter | 150 mm |
| Min. thrust (under pressure) for rated thermal input | 12 Pa |
| Fuel gas temperature | 262 °C |
| Volume of fuel gas | 4,6 g/s |
| CO emissions in fuel gas (at 13 % O ₂) | 0,0873 % |
| Dust in the fuel gas (at 13 % O ₂) | 19 mg/Nm ³ |
| Volume of fuel per hour | 1,85 kg/h |
| Fuel | wood (beech logs) |
| Weight | 227 kg |



LIST OF SPARE PARTS

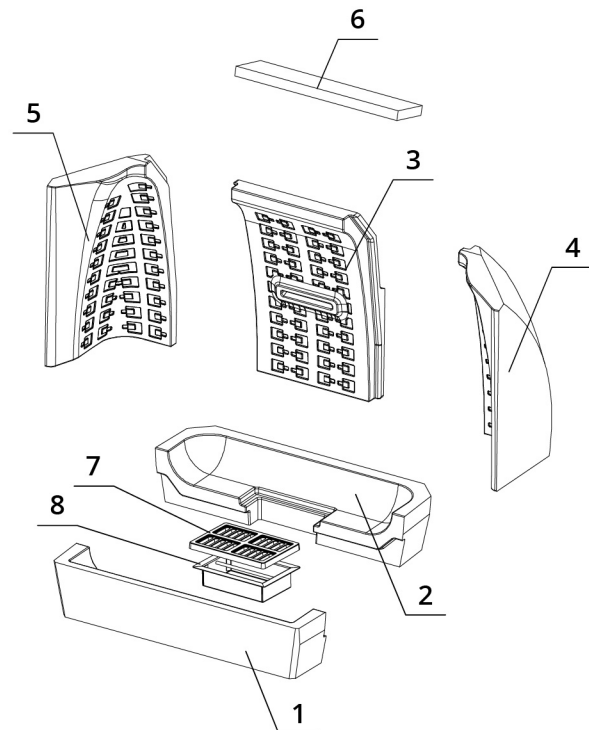
Glass



570 x 468 mm

Carcon stones

1. Front bottom
2. Back bottom
3. Back
4. Right side
5. Left side
6. Deflector
7. Cast iron grid
8. Ash tray



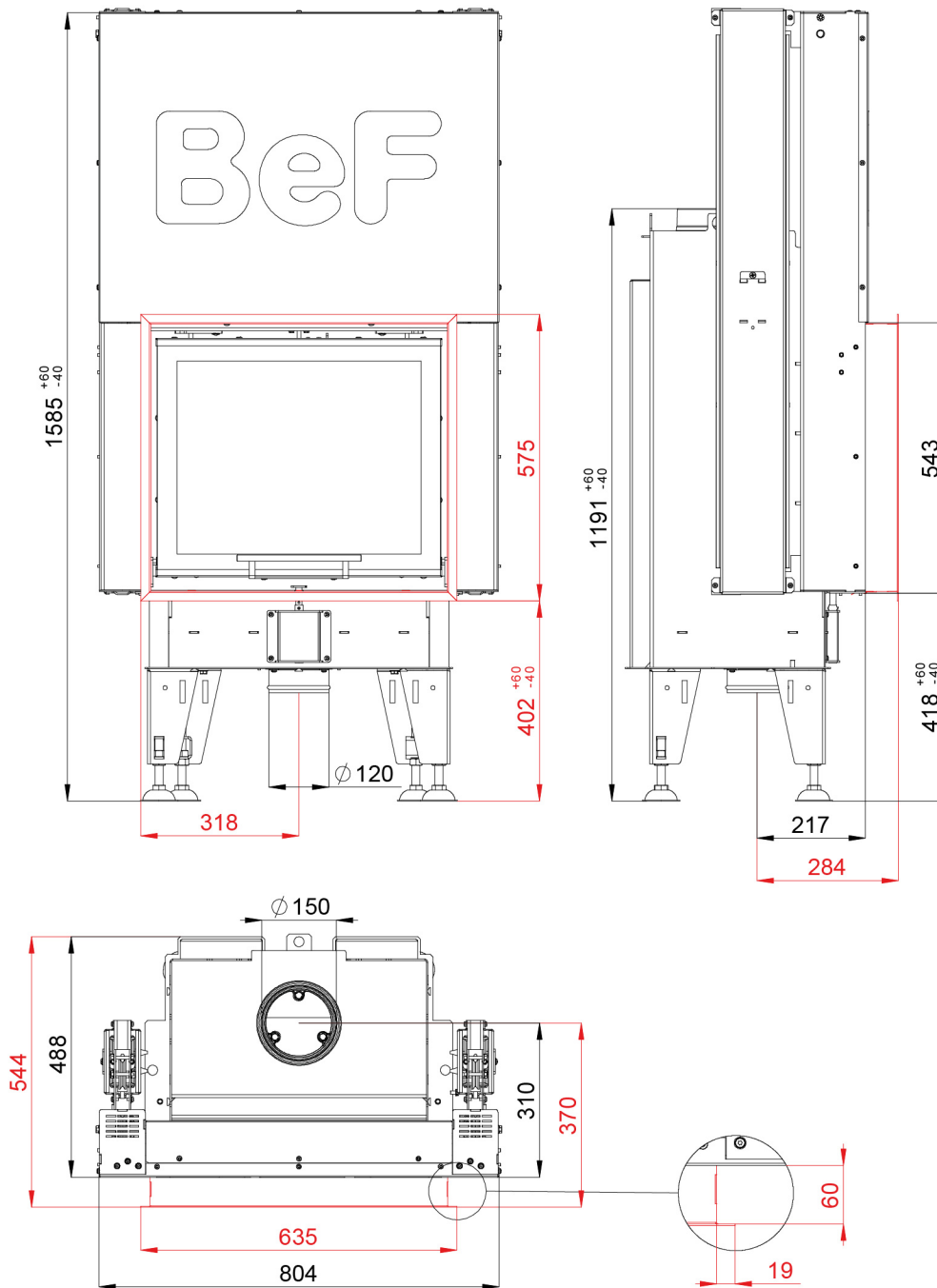
BEF THERM V 6

BlmSchV
Stufe 2

15a
B - VG

ČSN EN
13229

TECHNICAL DRAWING



BEF THERM V 6

| | | |
|--------------------|---------------|-----------------|
| BImSchV Stufe 2 | 15a B - VG | ČSN EN 13229 |
|--------------------|---------------|-----------------|

www.befhome.com